

SMART MEETING

20X optical zoom

Trinity image auto-focusing technology

1920x1080 Full HD

ISuperbHigh-definition Image

ExtremelyQuiet PTZ

SDI-HD10-X20 series Full HD PTZ Camera

Full HD, Wide View Angle, Multi-protocols, Multiple Video Interfaces, Multi-lens

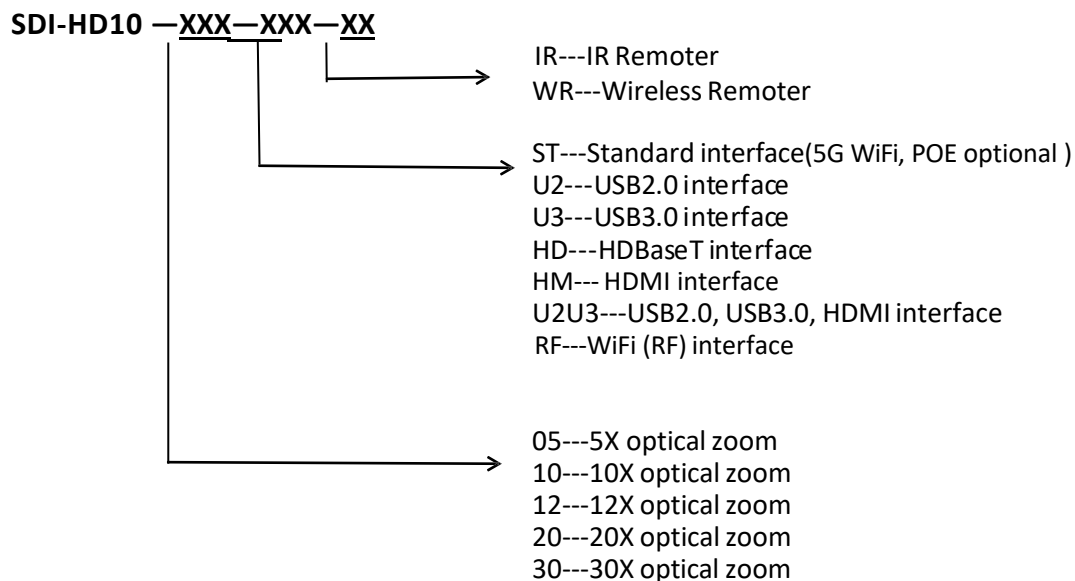


The **SDI-HD10-X20** series Full HD PTZ Camera offers perfect functions, superior performance and rich interfaces. The features include advanced ISP processing algorithms to provide vivid images with a strong sense of depth, high resolution, and fantastic color rendition. It supports H.264/H.265 encoding which makes motion video fluent and clear even under less than ideal bandwidth conditions.

Key Features

- **Superb High-definition Image**
SDI-HD10-X20 employs 1/2.8 inch high quality CMOS sensor. Resolution is up to 1920x1080 with frame rate up to 60fps.
- **Multiple Optical Zoom Lens**
5X, 10X, 12X, 20X, 30X and other optical zoom lens for options. The lens adopts 83.7° wide angle without distortion.
- **Trinity image auto-focusing technology**
Focus on intelligent image processing, to provide automatic white balance (AWB), automatic exposure (AE), automatic focusing (AF) function, fully automatically adapt to the environment, to achieve the best image effect, perfect trinity image automatic adjustment.
- **Leading Auto Focus Technology**
Leading auto focus algorithm makes lens a fast, accurate and stable auto-focusing.
- **Low Noise and High SNR**
Low Noise CMOS effectively ensure high SNR of camera video. Advanced 2D/3D noise reduction technology is also used to further reduce the noise, while ensuring image sharpness.
- **Multiple Audio Output Interfaces**
Support HDMI, SDI, USB, Wired LAN, Wireless LAN (5G WiFi module and POE optional). SDI supports to transmit 100 meters under the 1080P60 format.
- **Audio Input Interface**
Support 8000, 16000, 32000, 44100, 48000 sampling frequency and AAC, MP3, G.711A audio coding.
- **Multiple Audio/Video Compression**
Support H.264/H.265 video compression; AAC, MP3 and G.711A audio compression; Support compression of resolution up to 1920x1080 with frame up to 60fps.
- **Multiple Network Protocol**
Support ONVIF, GB/T28181, RTSP, RTMP protocols and support RTMP push mode, which is easy to link streaming media server (Wowza, FMS), RTP multicast mode and network full command VISCA control protocol.
- **Multiple Control Interface**
RS485, RS232. RS232 supports cascade function, which is convenient for installation.
- **Multiple Control Protocol**
Support VISCA, PELCO-D, PELCO-P protocols and automatic identification protocol.
- **Extremely Quiet PTZ**
Adopting step driving motor mechanism and motor drive controller with high precision is to ensure PTZ works smoothly with low speed and without noise.
- **Low-Power Sleep Function**
Support low-power sleep/wake up, the consumption is lower than 400mW under sleep mode.
- **Multiple Preset**
Support 255 preset positions (the remote controller is set to 10 preset positions).
- **Multiple Remote Controller**
Users can choose infrared remote controller or wireless remote controller according to the environmental conditions. 2.4G wireless remote controller is not affected by the angle, distance or infrared interference.
- **Wide Application**
Tele-education, Lecture Capture, Webcasting, Videoconferencing, Tele-training, Tele-medicine, Interrogation and Emergency command systems.

Order No.



Model	SDI-HD10-X5	SDI-HD10-X10	SDI-HD10-X12	SDI-HD10-X20	SDI-HD10-X30
Camera Parameter					
Sensor	1/2.8 inch high quality HD CMOS sensor				
Effective Pixels	16: 9, 2.07 megapixel				
Video Format	HDMI/SDI/HDBaseT video format 1080P60/50/30/25/59.94/29.97; 1080I60/50/59.94; 720P60/50/30/25/59.94/29.97 U3 interface video format: 1) U3: 1920X1080P60/50/30/25; 1280X720P60/50/30/25; 960X540P30; 640X360P30; 640X480P30; 352X288P30; 800X600P30; 2) U3 compatible with U2: 960X540P30; 640X360P30; 1280X720P10/15; 720X576P50; 720X480P60; 640X480P30; 352X288P30; 800X600P30. U2 interface video format: 176x144/320x240/320x180/352x288/640x480/720x480/720x576/ 640x360/800X600/960X540/1024X576/1024X768/1280X720/1920X1080P30/25/20/15/10/5				
Optical Zoom	5X f=3.1~15.5mm	10X f=4.7~47mm	12X f=3.9~46.8mm	20X f=5.5~110mm	30X f=4.3~129mm
View Angle	20°(tele)--83.7°(wide)	6.43°(tele)--60.9°(wide)	6.3°(tele)--72.5°(wide)	3.3°(tele)--54.7°(wide)	2.34°(tele)--65.1°(wide)
AV	F1.8 – F2.8	F1.6 – F3.0	F1.8 – F2.4	F1.6 – F3.5	F1.6 – F4.7
Digital Zoom	10X				
Minimum Illumination	0.5Lux (F1.8, AGC ON)				
DNR	2D & 3D DNR				
White Balance	Auto / Manual/ One Push/3000K/3500K/4000K/4500K/5000K/5500K/6000K/6500K/7000K				
Focus	Auto/Manual/One push focus				

Aperture/Electronic Shutter	Auto/Manual
BLC	ON/OFF
WDR	OFF/ Dynamic level adjustment
Video Adjustment	Brightness, Color, Saturation, Contrast, Sharpness, B/W mode, Gamma curve
SNR	>55dB
Input/Output Interface	
Video Interfaces	<p>SDI-HD10-ST model: SDI, HDMI, LAN, RS232(input & output), RS485,A-IN, NDI(optional)</p> <p>SDI-HD10-U2 model: USB2.0, LAN, RS232(input & output), A-IN</p> <p>SDI-HD10A-U3 model: USB3.0, LAN, RS232(input & output), A-IN</p> <p>UV510A-HD model: HDBaseT(POE), LAN, A-IN, RS232(input)</p> <p>SDI-HD10-HM model: HDMI, LAN, RS232(input)</p> <p>SDI-HD10-U2U3 model: USB2.0, USB3.0, HDMI, LAN, RS232(input)</p> <p>UV510A-RF model: WiFi(RF), LAN</p>
Video Output Interfaces	HDMI, SDI, LAN(POE for options), USB3.0, USB2.0
Image Stream	Double stream output
Video Compression Format	H.264, H.265
Control Protocol	VISCA/Pelco-D/Pelco-P; Baud Rate:115200/9600/4800/2400bps
Audio Input Interface	A-IN: Double track 3.5mm linear input
Audio Compression Format	AAC/MP3/G.711A
Network Interface	100M IP port(100BASE-TX), 5G WiFi (optional)
Network Protocol	RTMP, RTSP, RTMP, ONVIF, GB/T28181, Network VISCA Control Protocol, Support remote upgrade, reboot and reset.
Control Interface	RS232 (input & output),RS485
Power Interface	HEC3800 outlet (DC12V),2pin waterproof aerial socket (RF model)
Power Adapter	Input: AC110V-AC220V; Output: DC12V/1.5A
Input voltage	DC12V±10%
Input current	1A (Maximum)
Power Consumption	12W(Maximum)
RF parameter	
Operating frequency range	5.1—5.9 (GHz)
Transmit power	17dBm
Channel bandwidth	40MHz
Modulation mode	OFDM
Transmission distance	≤300m (Outdoor without blocking), ≤150m (Indoor without blocking)
Transmission data rate	Max 300Mbps (Determined by transmission distance and channel occupancy)
Anti-interference mode	Manual/automatic channel mode selection
PTZ Parameter	
Pan/Tilt Rotation	±170°, -30°~+90°
Pan Control Speed	0.1 -60°/sec
Tilt Control Speed	0.1-30°/sec
Preset Speed	Pan: 60°/sec, Tilt: 30°/sec
Preset Number	255 presets (10 presets by remote controller)

Other Parameter	
Stored Temperature	-10°C ~ +60°C
Stored Humidity	20% ~ 95%
Working Temperature	-10°C ~ +50°C
Working Humidity	20% ~ 80%
Dimension	150mm×150mm×167.5mm
Weight (around)	1.4KG
Application	Indoor
Accessory	
Package	Power supply, RS232 control cable, USB3.0 connection cable (U3 model), USB2.0 connection cable (U2 model), Remote controller, User manual
Optional Accessories	Ceiling / Wall Mount (Extra Cost)

Dimension(mm):

