



SDI-HD70-P12

SMART MEETING

Full HD Resolution

12X/20X optical zoom

Low Noise and High SNR

AI Human Detection

Built-in Gravity Sensor



This series camera has perfect functions, superior performance and rich video output interfaces; Featuring with advanced ISP processing algorithms, offering vivid and high resolution video with a strong sense of depth and fantastic color rendition. It supports H.264/H.265 encoding which makes motion video more fluent and clear under low bandwidth conditions.

Product Features:

- **Full HD Resolution:** 1/2.8 inch high quality CMOS sensor. Resolution is up to 1920x1080 with frame rate up to 60 fps.
- **Multiple Optical Zoom Lens:** 12X/20X optical zoom lens.
- **Leading Auto Focus Technology:** Fast, accurate and stable auto focusing technology.
- **Low Noise and High SNR:** Super high SNR image is achieved with low noise CMOS. Advanced 2D/3D noise reduction technology further reduces the noise while ensuring high image clarity.
- **Multiple video output interfaces:** HDMI, SDI, USB3.0, LAN. Simultaneously output audio and video signal via HDMI, SDI and LAN. LAN interface support POE, USB 3.0 support dual code stream, SDI support transmission up to 100m under 1080P60 format

- **Multiple Audio/Video Compression Standards:** Support H.264/H.265 video compression, up to 1920×1080 resolution 60 fps; support AAC, MP3 and G.711A audio compression, 8000,16000,32000,44100,48000 sampling frequency
- **USB3.0 Support Dual Coding Stream:** Support main stream and sub-stream, and simultaneous output; support YUY2, MJPEG, H.264, NV12, H.265 video coding format
- **Built-in Gravity Sensor:** support PTZ auto-flip function and easy installation.
- **Multiple Network Protocol:** support ONVIF,GB/T28181,RTSP,RTMP,VISCA OVER IP,IP VISCA,RTMPSSRT protocols; Support RTMP push mode, easy to be connected to streaming server (WowzaFMS); Support RTP multicast mode;
- **Control Interface:** RS422 is compatible with RS485, RS232-IN, RS232-OUT, and the RS232 interface supports cascading.
- **Multiple Control Protocol:** Support VISCA,PELCO-D,PELCO-P protocols; Support automatic identification protocols.
- **Quiet Pan / Tilt Movement:** with high accuracy step driving motor, camera can pan / tilt extremely quiet and smooth.
- **Various remote controls:** Users can choose infrared remote control or wireless remote control according to the environmental conditions used. The 2.4G wireless remote control is not affected by angle, distance, and infrared interference. Support the remote control signal transparent transmission function, which is convenient for back-end equipment to use.
- **AI Human Detection:** Built-in high-speed processor and advanced image processing and analysis algorithms, users can choose real-time tracking and regional tracking according to the environment.
- **Multiple Application:** Online-education, Lecture Capture, Webcasting, Video conferencing, Tele-medicine, Unified Communication, Emergency command and control systems, etc.



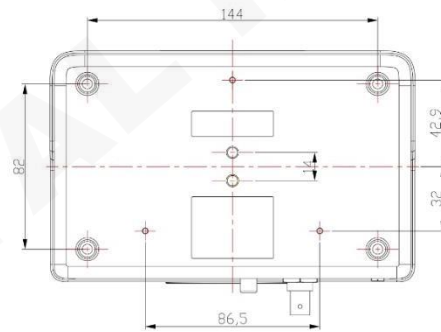
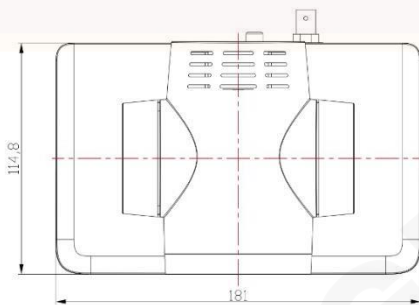
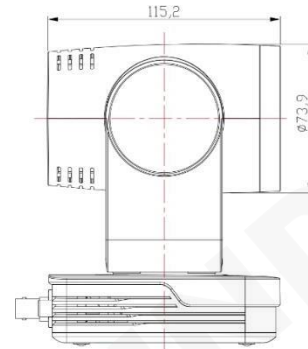
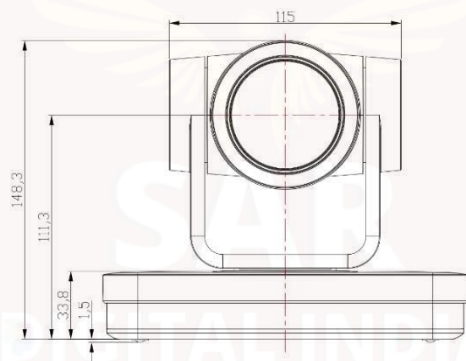
Technical Specification

Camera Parameter		
Parameter/Model	12X	20X
Focus	3.9 -- 46.8mm	5.2 -- 98mm
FOV	6.3° (N)	3.2° (N)
	72.5° (W)	56° (W)
Aperture Value	F1.8 -- F2.4	F1.5 -- F3.0
Digital Zoom	15X	
Effective Pixels	2.07, 1/2.8-inch high-quality CMOS sensor	
Video Format	<p>HDMI/SDI: 1080P60, 1080P50, 1080P30, 1080P25, 720P60, 720P50, 1080P59.94, 1080P29.97, 720P59.94 ;</p> <p>USB3.0: main stream : YUY2/NV12:</p> <p>1920×1080/1280×720/1024×576/800×600/800×448/640×360/640×480/480×270/320×180@30/25/20/15/10/5fps;</p> <p>MJPEG/H264:</p> <p>1920×1080/1600×896/1280×720/1024×576/960×540/800×600/800×448/720×576/720×480/640×360/640×480/480×270/352×288/320×240@30/25/20/15/10/5fps;</p> <p>Sub-stream : YUY2/NV12:</p> <p>1920×1080/1280×720/1024×576/800×600/800×448/640×360/640×480/480×270/320×180@30/25/20/15/10/5fps;</p> <p>MJPEG/H264:</p> <p>1920×1080/1600×896/1280×720/1024×576/960×540/800×600/800×448/720×576/720×480/640×360/640×480/480×270/352×288/320×240@30/25/20/15/10/5fps;</p>	
Minimum illumination	0.5Lux(F1.8, AGC ON)	
DNR	2D & 3D	
AWB	Automatic, manual, one-key white balance, specified color temperature	
Focus mode	Automatic, manual, one-key focus	
Exposure mode	Auto, manual, shutter priority, aperture priority, brightness priority	
Iris value	F1.8 -- F11,CLOSE	

Shutter Speed	1/25 -- 1/10000
BLC	on/off
Dynamic range	Off, 1 -- 8
Image adjustment	Brightness, chroma, saturation, contrast, sharpness, black and white mode, gamma curve
SNR	≥50dB
AI Function & Performance	
Real-Time Tracking	Maximum Tracking Range: 6-7 meters. Support speakers to walk at a speed of 3-4 meters
Regional Tracking	Maximum Tracking Region: 4. Support set the region within horizontal -170°~+170° and vertical -30°~+90°
Interface	
Product Interface	HDMI,LAN(POE),USB3.0(B Type ,Compatible with USB 2.0), SDI,A-IN,RS232-IN,RS232-OUT,RS422 (Compatible with RS485) ,Rotary Switch,DC12V Power,
Video Encoding Format	LAN Interface : Support main stream and sub-stream H.265 , H.264 USB3.0 Interface : main stream support YUY2,MJPG,H264,NV12
Audio input interface	Dual channel 3.5mm linear input
Audio output interface	HDMI,SDI,LAN,USB3.0
Audio compression	AAC, MP3, G.711A
LAN interface	10M/100M/1000M adaptive Ethernet port, support POE power supply, support audio and video output
Network protocol	RTSP, RTMP, ONVIF, GB/T28181, VISCA OVER IP, IP VISCA, RTMPS, SRT Support remote upgrade, remote restart, remote reset
Control Interface	RS232-IN,RS232-OUT,RS422 compatible with RS485
Serial communication protocol	VISCA/Pelco-D/Pelco-P; support baud rate 115200/38400/9600/4800/2400

USB communication protocol	UVC (video communication protocol) ,UAC (audio communication protocol)
Power interface	HEC3800 Power socket (DC12V)
Power adapter	Input AC110V-AC220V ; output DC12V/2.5A
Input voltage	DC12V±10%
Input current	<1A
Consumption	<12W
PTZ	
Pan rotation	-170° -- +170°
Tilt rotation	-30° -- +90°
Pan speed	0.1°/s -- 100°/s
Tilt speed	0.1°/s -- 45°/s
Preset speed	Pan : 100°/s,Tilt : 45°/s
Preset quantity	Maximum 255 preset positions can be set(10 via remote controls)
Other Parameter	
Storage temperature	-10°C -- +70°C
Storage humidity	20% -- 95%
Working temperature	-10°C -- +50°C
Working humidity	20% -- 80%
Dimension	181mm×115mm×149mm
Weight	1.15kg
Environment	Indoor
Accessory	
Standard accessory	Power adapter, RS232 control line, USB3.0 connection line, remote control, user manual
Optional accessory	Ceiling mounting bracket, wall mounting bracket

Dimension



www.sardigitalindia.com

SAR DIGITAL INDIA



sales@sardigitalindia.com



9871779099 | 99107 06115