

- SMART MEETING**
- Full HD Image**
- 10X optical zoom**
- Leading Auto Focus Technology**
- Low- power Sleep Function**
- Extremely Quiet PTZ**

SDI-HD15B10

Full HD PTZ Camera



The SDI-HD15B10 series Full HD PTZ Camera offers perfect functions, superior performance and rich interfaces. The features include advanced ISP processing algorithms to provide vivid images with a strong sense of depth, high resolution, and fantastic color rendition.

Key Features

- **Full HD Image**
SDI-HD15B10 employs 1/2.9 inch high quality CMOS sensor. Resolution is up to 1920x1080 with frame rate up to 30fps.
- **Multiple Optical Zoom**: 3X and 10X optical zoom lens for selection.
- **Leading Auto Focus Technology**
Advanced and leading algorithm enables the camera auto focus fast and accurately.
- **Low Noise and High SNR**
Low noise CMOS ensures super high SNR image. The advanced 2D/3D noise reduction technology reduces the noise while ensuring high image clarity.
- **Multiple Control Protocols**
Support VISCA, PELCO-D, PELCO-P protocols; Support automatic identification protocols.
- **Control Interface**
RS485, RS232 in & out, support cascade connection.
- **Extremely Quiet PTZ**
Adopting step driving motor mechanism and motor drive controller with high precision is to ensure PTZ works smoothly with low speed and without noise.
- **Low-power Sleep Function**
Support low-power sleep/wake up, the consumption is lower than 400mW under sleep mode
- **Multiple Preset**
Up to 255 presets (10 presets for IR remote control)
- **Multiple Applications**
Online-education, Lecture Capture, Broadcasting, Video conferencing, Tele-medicine, Unified Communication, Emergency command and control systems, etc.

Order No.

SDI-
HD15B10

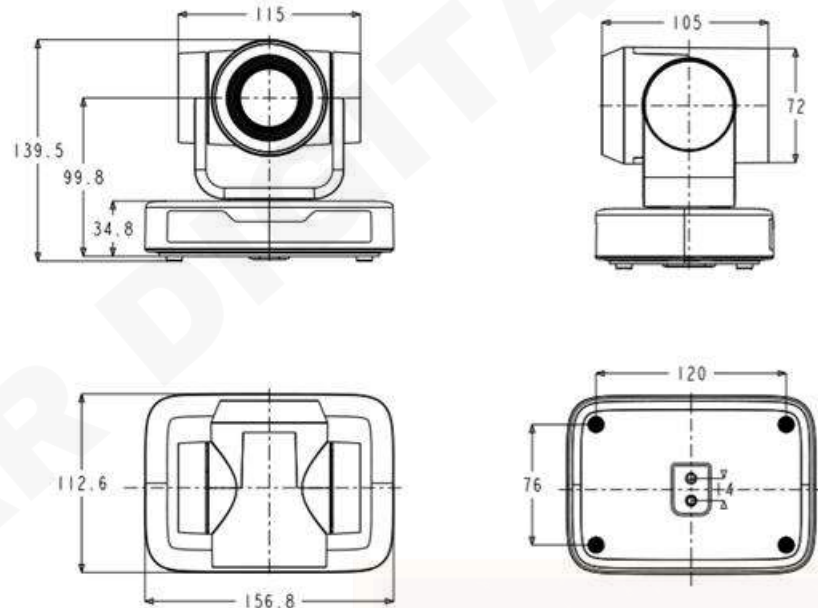
03---3X Optical Zoom Lens
10---10X Optical Zoom Lens

Technical Specifications

Model No.	SDI-HD15B10	SDI-HD15B10
Camera Parameter		
Image Sensor	1/2.9 Inch High Quality CMOS Sensor	
Effective Pixels	2.07MP, 16:9	
Video Format	1920×1080P@30 fps/25fps; 1280×720P@30fps/25fps; 1024×576P@30fps/25fps; 960×540P@30fps/25fps; 800×448P@30fps/25fps; 640×360P@30fps/25fps; 320×176P@30fps/25fps	
Optical Lens	3X Optical Zoom f = 3.35mm-10.05mm	10X Optical Zoom f = 4.34mm-41.66mm
View Angle	30°~85°	8.8°~ 68.8°
Iris	F1.7-3.0	F1.85 – F2.43
Digital Zoom	10X	
Low Illumination	0.5Lux (F1.8, AGC ON)	
DNR	2D & 3DDNR	
White Balance	Auto / Manual/ One Push//3000K/3500K/4000K/4500K/5000K/5500K/6000K/6500K/7000K	
Focus	Auto / Manual/ One Push	
Electronic Shutter	Auto / Manual	
BLC	On/Off	
WDR	OFF/ Dynamic Level Adjustment	
Video Adjustment	Brightness, Color, Saturation, Contrast, Sharpness, B/W mode, Gamma curve	
SNR	>50dB	
Interface and Protocol		
Video Output	USB2.0. Type A	
Video Compression	H.265, H.264, MJPG	
Control Port	RS232 in & out, RS485	
Control Protocol	VISCA/Pelco-D/Pelco-P	
Power Supply	HEC3800 Outlet (DC12V)	
USB characteristics		
Support operating system	Windows 7, Windows8, Windows10, Mac osx ,Linux	

Video Compression	H.265, H.264, MJPG
USB communication protocol	UVC
PTZ Parameter	
Pan/Tilt Rotation	-170°~+170°, -30°~+90°
Pan/Tilt Controller Speed	0.1~60°/Second, 0.1~30°/Second
Preset Speed	Pan:60°/Second, Tilt: 30°/Second
Preset Numbers	255 Presets (10 presets on IR Remote)
Other Parameter	
Working Voltage	12V
Working current	0.25A(max)
Power Consumption	2.5W(max)
Storage Temperature	-10°C ~ +60°C, 20% ~ 95%
Working Temperature	-10°C ~ +50°C, 20% ~ 80%
Dimension(W*H*D)	156.8mm×112.6mm×139.5mm
Weight	1KG
Usage	Indoor Only
Package	Power Supply, USB2.0 Cable, Remote Controller, User Manual
Accessories Optional	Mount (Extra Cost)

Dimension (unit: mm)



SAR DIGITAL INDIA

www.sardigitalindia.com
sales@sardigitalindia.com
 +919871779099