



**SMART MEETING**

- 10X Digital zoom
- High quality CMOS sensor
- 4K Ultra HD
- 6 X MEMS Microphones
- Track each speaker in real time

# Intelligent 4K Video Bar

## SDI-4K60-BR10

4K UHD, large viewing angle without distortion, voice tracking, intelligent framing, electric privacy cover, audio and video integration



With all-in-one design, **SDI-4K60-BR10** has 4K UHD camera, microphone array, high fidelity speaker and electric privacy cover. With powerful functions like face recognition, voice localization, voice tracking, and intelligent noise reduction, **SDI-4K60-BR10** could automatically adjust the image size according to the number of participants to present the optimal frame. It can also detect the speaker position in real time and lock the target while having a close-up, which allows users to have hands-free operation. **SDI-4K60-BR10** has 6 array microphone composed of MEMS microphones, and it can also be matched with external cascading microphone, plus advanced 3A audio algorithm, you will have an exceptional full-duplex communication experience.

The built-in linear microphone array composed of 6 MEMS microphones can also be matched with cascading expansion microphones. With the advanced 3A audio algorithm,

the directional pickup is clearer and brings a 6-meter full-duplex high-quality call experience.



## Product Features

- **Integrated Design:** Built in 4K UHD camera, microphone array, high fidelity speaker and electric privacy cover
- **Ultra HD:** **SDI-4K60-BR10** adopts 8 M high quality CMOS image sensor, able to capture 4K ultra HD image to present true-to-life image, bringing excellent image resolution and clarity.
- **Distortion-less Wide Angle Lens:** 120° wide angle with no distortion lens allows every participant is on the frame with no need to adjust the camera.
- **Automatically Privacy Cover:** Privacy cover will automatically close to ensure the privacy security.
- **Microphone Array:** Built in 6 array microphone enable speaker can be tracked in real time. **SDI-4K60-BR10** break the distance limitation to provide virtual meeting as if you are there.
- **Built in Speaker:** Built in dual 10W high quality studio speaker, ensuring every participant can hear and be heard clearly.
- **Audio Processing:** The audio processing algorithm adopts high-fidelity 48K audio sampling rate, lossless audio transmission technology, supports AEC, AGC, ANS processing, bringing high-quality calls of 6 meters full duplex;
- **Auto Framing:** Built in face detection algorithm, automatically detect participant and provide optimal framing.
- **Bluetooth 5.0:** Connect mobile phone and other devices through Bluetooth to be used as Bluetooth speaker and microphone.
- **Low Noise and High SNR:** Low noise CMOS ensure the ultra SNR of image. The advanced 2D, 3D noise reduction technology further reduce the noise while ensuring the image clarity.
- **Powerful Compatibility:** Compatible with Windows7, windows10, Mac OS 10.10 or higher system, applicable to major cloud-based video conference platforms.



## Technical Specification

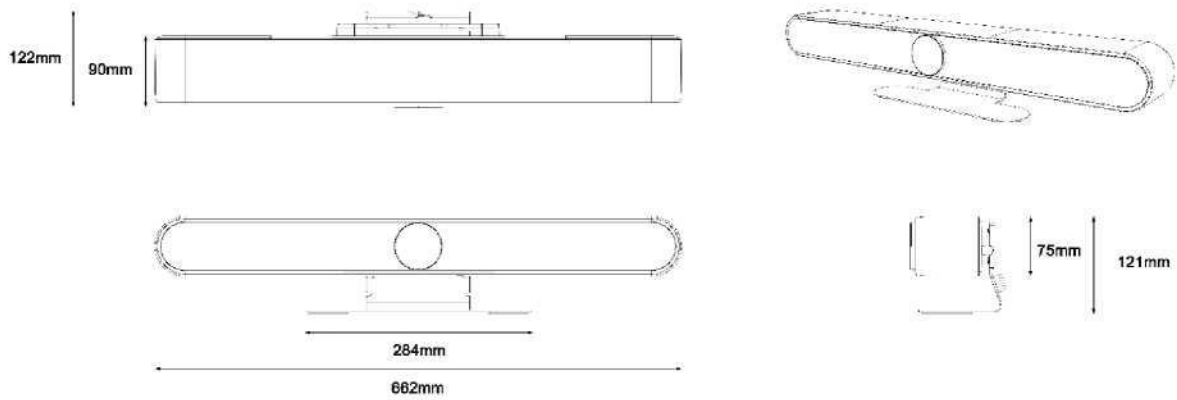
Camera	Lens	FOV	120°(D) /106°(H) / 72°(V)	
		Iris	F2.0	
		Focal Length	1.89mm	
		Digital Zoom	10X	
	Sensor	High quality CMOS sensor, effective pixel 8 million, 16:9		
	Image	Minimum Illumination	0.5Lux	
		DNR	2D & 3D	
		Focus	Auto/Manual	
		BLC	On/Off	
		Exposure	Parameter can be adjusted, and AE(Auto Exposure) is available	
		Video Adjustment	Brightness, sharpness, saturation, contrast, white balance, gain, anti-flicker, low brightness compensation and other parameters can be adjusted	
	SNR	>50dB		
Video Format	HDMI: 4KP30,1080P60 compatible downward USB: 4KP30,1080P60 compatible downward			
Video Compression Format	MJPEG, YUY2, H.264, H.265, NV12			
Privacy Cover	Automatic privacy cover will close when no image output and open when there are image output.			
Audio	Microphone	Microphone Pickup Distance	6 X MEMS Microphones 6 meters	
		Frequency Response	120 Hz-16 kHz	
		Speaker	Built in dual speaker	
	Speaker	Voltage	2*10W	
		Output Voice Pressure	80±3 dB 1.0M/1.0W	
		Frequency Response	100 Hz-20 KHz	
		Audio Processing	AEC, AGC, ANS	
	AI Function	Group Framing	Automatically adjust the screen size according to the number of participants to present the best framing	
Speaker Tracking		Track each speaker in real time, and ensure that the speaker is in the center of the screen.		
Remote Control	Remote Control	Infrared remote control		
Physical Interfaces	USB	USB3.0 audio video output interface, Type C Support UVC1.1, UAC1.0 and higher		



	HDMI	HDMI video output interface HDMI also compatible with HDMI2.0 standard
	LINE IN	3.5mm audio line input interface (when an external pickup is connected, the audio input is automatically switched to the external pickup)
	LINE OUT	3.5mm line output, can be connected to external speakers (when connecting to external speakers, the audio output will automatically switch to external speakers)
	Expansion Mic Interface	RJ45 interface, able to connect to expansion microphone.
	Power Interface	HEC3800 power socket (DC12V), input AC110V-AC220V output DC12V/2.5A
Indicator	Bar-shaped Indicator	While displaying the working status, it can also be lit where the speaker's voice comes from.
Bluetooth	Bluetooth 5.0	Can be connected to a mobile phone or other device via Bluetooth as a Bluetooth microphone and speaker
Compatibility	Available System	Windows 7, Windows 8, Windows 10, Mac OS X, Linux, Android
Power Supply Method		Supply power through power adapter
Working Condition	Storage Temperature	-10°C~+70°C
	Storage Humidity	20%~95%
	Working Temperature	-10°C~+50°C
	Working Humidity	20% ~ 80%
	Environment	Indoor
Installation Method	Walling Mount	Comes with walling mount bracket. While mounting, the camera need to be as close to the wall as possible.
	Desktop	Comes with desktop mounting bracket
	Installed on Monitor	Bracket for monitor installation(optional)



## Dimension



[www.sardigitalindia.com](http://www.sardigitalindia.com)

**SAR DIGITAL INDIA**

 [sales@sardigitalindia.com](mailto:sales@sardigitalindia.com)

 9871779099 | 99107 06115